

DMT45 / DMT50

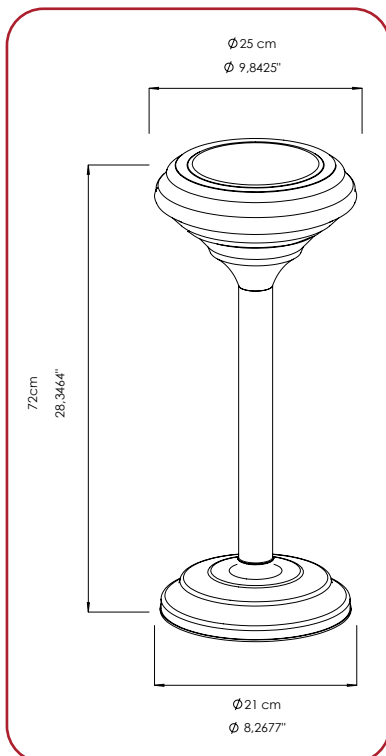
Floor Standing Ashtrays



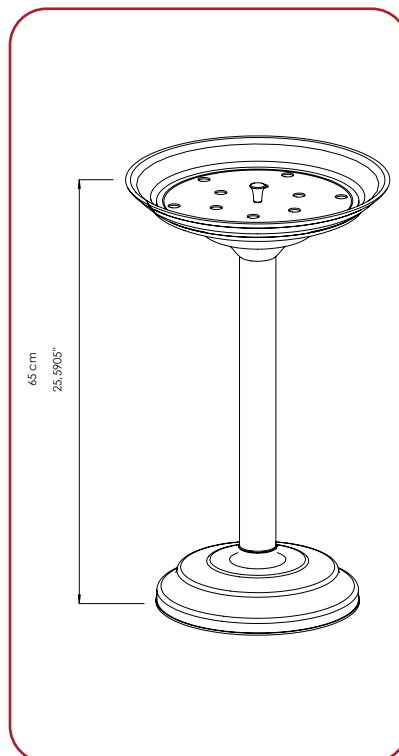
DMT45



DMT50



DMT45



DMT50

GENERAL DESCRIPTION

- + Floor standing ashtrays made with 430 stainless steel 0.50 mm
- + Available in only one bright finish.
- + Useful for the public areas.
- + Removable ashtray on the top.

COMPONENTS AND MATERIAL

- + DMT 45 Stainless Steel 430 bright finish
- + DMT 50 Stainless Steel 430 bright finish

BIN REPLACEMENT REQUIREMENTS AND RECOMMENDATIONS

The following recommendations are intended to provide guidelines on the best possible placement of the dispensers. Because every location a dispenser is to be mounted is different, depending on customer site, physical size limitations, and available space, these recommendations may not always be entirely possible to follow. However, when placing a dispenser installation must meet ADA requirements and should promote ease of use and be in union with its surroundings. Upon installation, the dispenser should be level and the job results professional, presentable and fully functional.

AFTERCARE INSTRUCTIONS

- + Regular cleaning with a soft cloth will keep the surface of your product looking new. Soapy water can be used to remove stubborn marks. Don't use abrasive or chemical cleaners as these may damage the surface finish over time.
- + Don't expose to sunlight.
- + Don't respond to the product with force against the possibility of damnification, deformation.
- + Don't throw any cigarettes and flammable materials into the product.



PRODUCT
CODE

DMT45
DMT50



LITER



PRODUCT
DIMEN.

72 cm
65 cm



CARTON
DIMEN.

54x78x77 cm
54x78x77 cm



CARTON
WEIGHT

21 kg
13,50 kg



INBOX
QUANTITY

6
6



PALLET
QUANTITY

36
36



GROSS PALLET
DIMEN.

80x120x220 cm
80x120x245 cm



GROSS PALLET
WEIGHT

74 kg
96 kg