

0965

Jumbo Roll Toilet Paper Dispenser



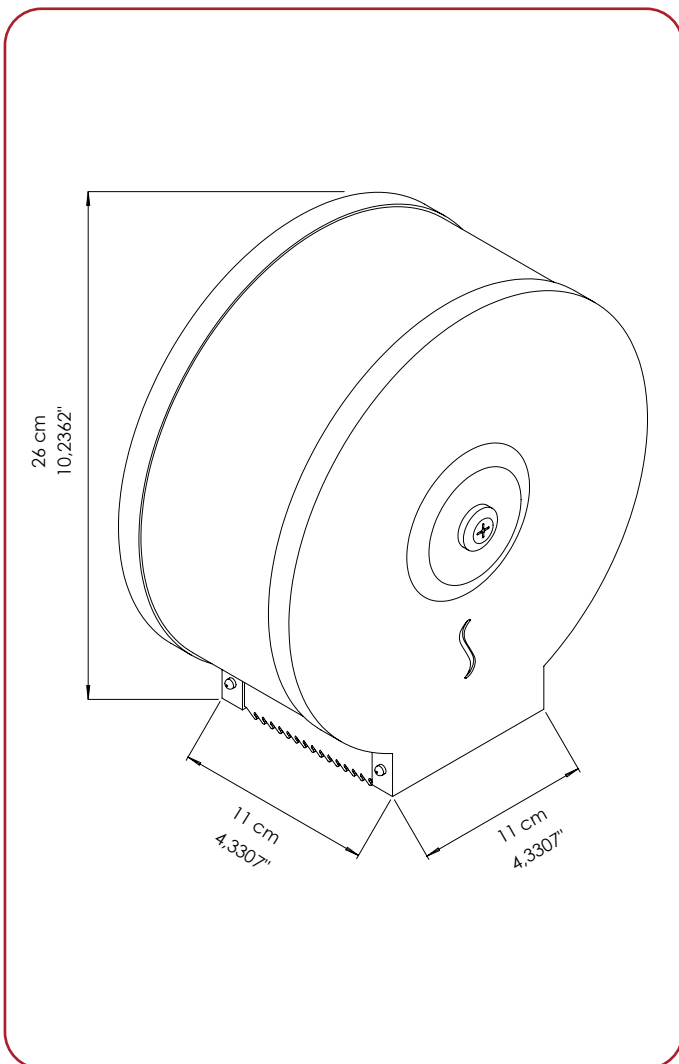
0965



0965W

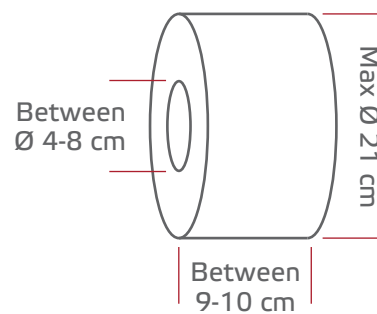


0965B



GENERAL DESCRIPTION

- + Jumbo roll toilet paper dispenser made with stainless steel 304 S.S and 430 S.S. 0.70 & 0.80 mm thicknesses.
- + Inner roll holder made with stainless steel 304. S.S.
- + Available in four type of finishes (white, black, bright and satine)
- + Useful for the public areas
- + It is mounted with three steel 4 mm screws (provided in the box) with their 8 mm plastic plugs (also provided)
- + Metal lock system is exist to protect the paper inside clean and safe.



COMPONENTS AND MATERIAL

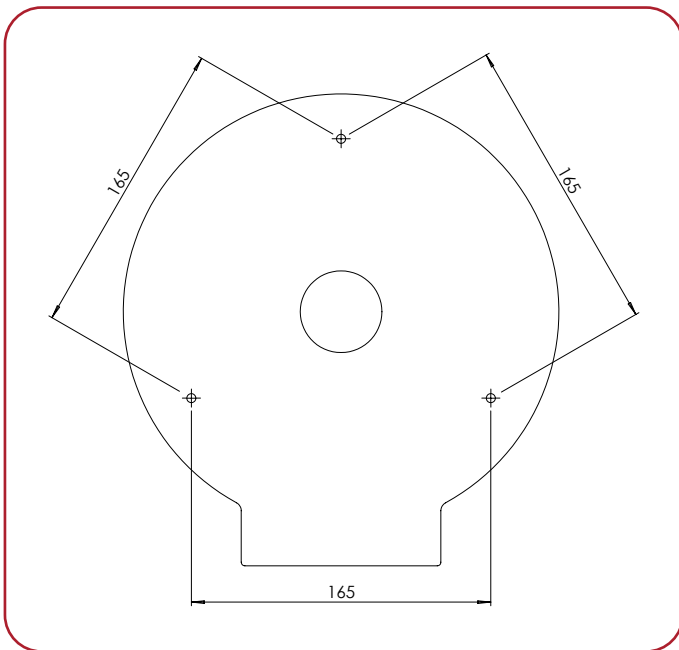
- + 0965-Stainless Steel 304 satine finish
- + 0965A-Stainless Steel 430 satine finish
- + 0965P Stainless Steel 304, bright finish
- + 0965AP Stainless Steel 430, bright finish
- + 0965W Steel, white powder coated
- + 0965B Steel, black powder coated

INSTALLATION

- + First measure out where the lid dispenser will be placed, mark three holes and drill into the wall.
- + Insert the provided wall plugs and screw in the top two screws, leaving a slight gap for the dispenser to slot onto.
- + Open the dispenser lock before mounting the dispenser to the wall.
- + Slot the dispenser onto the two previously fixed screws and then screw final one screw.
- + Once the dispenser is secure, you can close the lid.
- + Once the container is back in place, use the provided key to lock the cover closed.

MOUNTING TEMPLATE

Should be minimum 60 cm high from the floor.



DISPENSER REPLACEMENT REQUIREMENTS AND RECOMMENDATIONS

The following recommendations are intended to provide guidelines on the best possible placement of the dispensers. Because every location a dispenser is to be mounted is different, depending on customer site, physical size limitations, and available space, these recommendations may not always be entirely possible to follow. However, when placing a dispenser installation must meet ADA requirements and should promote ease of use and be in union with its surroundings. Upon installation, the dispenser should be level and the job results professional, presentable and fully functional.

AFTERCARE INSTRUCTIONS

- + Regular cleaning with a soft cloth will keep the surface of your product looking new. Soapy water can be used to remove stubborn marks. Don't use abrasive or chemical cleaners as these may damage the surface finish over time.
- + Don't expose to sunlight.
- + Don't respond to the product with force against the possibility of damnification, deformation.
- + Don't throw any cigarettes and flammable materials into the product.



PRODUCT
CODE

0965
0965W
0965B



PRODUCT
DIMEN.

26x11x24 cm
26x11x24 cm
26x11x24 cm



CARTON
DIMEN.

58x68x32 cm
58x68x32 cm
58x68x32 cm



CARTON
WEIGHT

14,5 kg
14,5 kg
14,5 kg



INBOX
QUANTITY

10
10
10



PALLET
QUANTITY

120
120
120



GROSS PALLET
DIMEN.

80x120x210 cm
80x120x210 cm
80x120x210 cm



GROSS PALLET
WEIGHT

190 kg
190 kg
190 kg