

# 0964 / 0966 / 0967

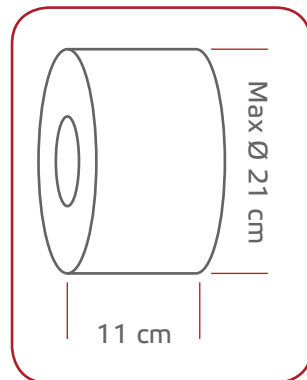
## Jumbo Roll Toilet Paper Dispenser



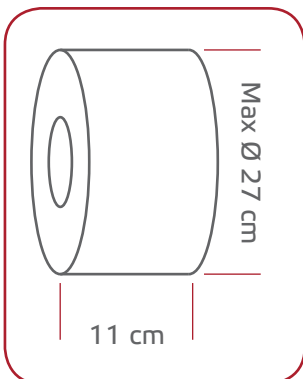
0967

### GENERAL DESCRIPTION

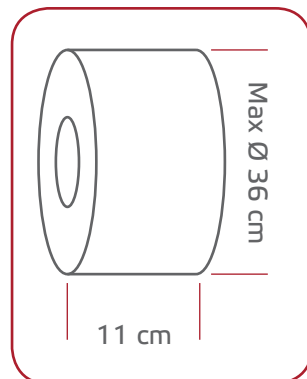
- + Jumbo roll toilet paper dispenser made with stainless steel 304 S.S and 430 S.S. 0.70 & 0.80 mm thickness.
- + Inner roll holder made with stainless steel 304. S.S.
- + Available in four type of finishes (white, black, bright and satine)
- + Useful for the public areas
- + It is mounted with steel 4 mm screws (provided in the box) with their 8 mm plastic plugs (also provided)
- + Metal lock sytem is exist to protect the paper inside clean and safe.



0964



0966



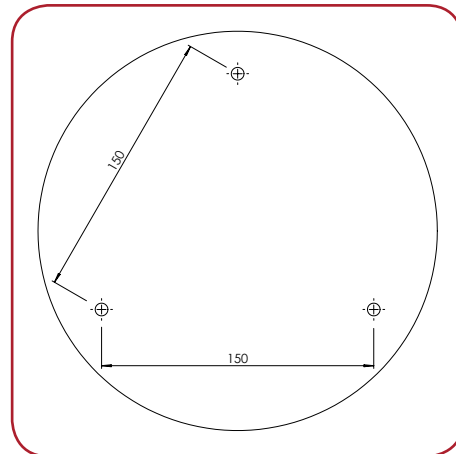
0967

### COMPONENTS AND MATERIAL

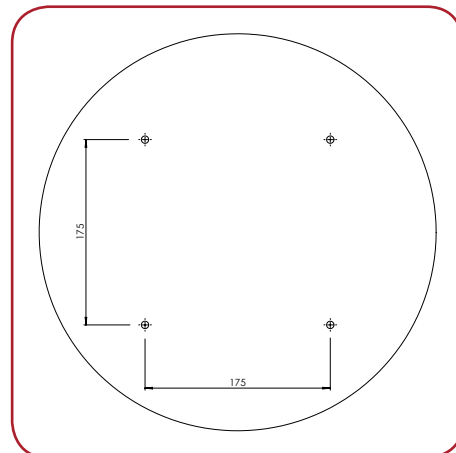
- + 0964-Stainless Steel 304 satine finish
- + 0966-Stainless Steel 304 satine finish
- + 0967-Stainless Steel 304 satine finish
- + 0964A-Stainless Steel 430 satine finish
- + 0966A-Stainless Steel 430 satine finish
- + 0967A-Stainless Steel 430 satine finish
- + 0964 P-Stainless Steel 304 bright finish
- + 0966P-Stainless Steel 304 bright finish
- + 0967P-Stainless Steel 304 bright finish
- + 0964AP-Stainless Steel 430 bright finish
- + 0966AP-Stainless Steel 430 bright finish
- + 0967AP-Stainless Steel 430 bright finish

### INSTALLATION

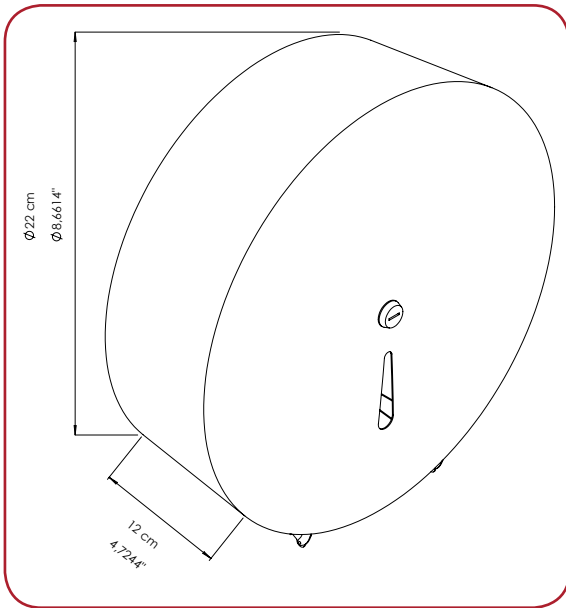
- + First measure out where the lid dispenser will be placed, mark three/four holes and drill into the wall.
- + Insert the provided wall plugs and screw in the top two screws, leaving a slight gap for the dispenser to slot onto.
- + Open the dispenser lock before mounting the dispenser to the wall.
- + Slot the dispenser onto the two previously fixed screws and then screw final one screw /two screws.
- + Once the dispenser is secure, you can close the lid.



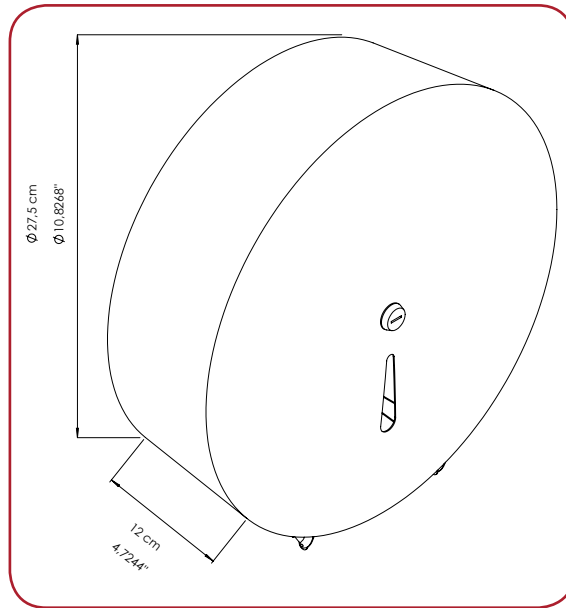
0964 / 0966



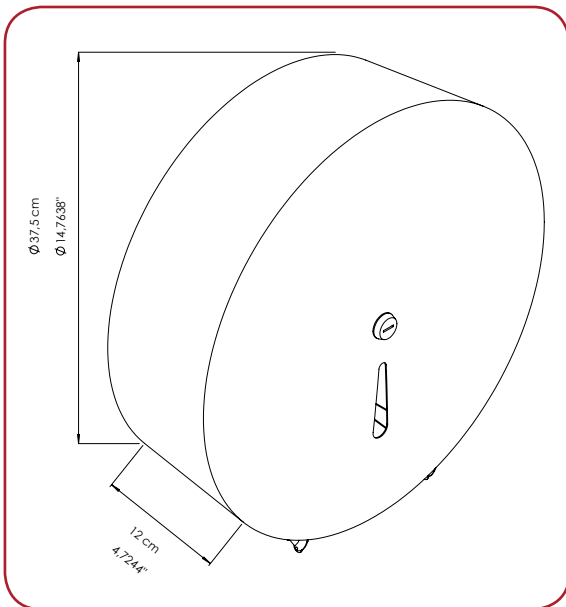
0967



0964



0966



0967

**MOUNTING TEMPLATE**

Should be minimum 60 cm high from the floor.

**DISPENSER REPLACEMENT REQUIREMENTS AND RECOMMENDATIONS**

The following recommendations are intended to provide guidelines on the best possible placement of the dispensers. Because every location a dispenser is to be mounted is different, depending on customer site, physical size limitations, and available space, these recommendations may not always be entirely possible to follow. However, when placing a dispenser installation must meet ADA requirements and should promote ease of use and be in union with its surroundings. Upon installation, the dispenser should be level and the job results professional, presentable and fully functional.

**AFTERCARE INSTRUCTIONS**

- + Regular cleaning with a soft cloth will keep the surface of your product looking new. Soapy water can be used to remove stubborn marks. Don't use abrasive or chemical cleaners as these may damage the surface finish over time.
- + Don't expose to sunlight.
- + Don't respond to the product with force against the possibility of damnification, deformation.
- + Don't throw any cigarettes and flammable materials into the product.



PRODUCT CODE

0964  
0966  
0967



PRODUCT DIMEN.

22x12 cm  
27,5x12 cm  
37,5x12 cm



CARTON DIMEN.

65x45x35 cm  
59x41x33 cm  
42x42x60 cm



CARTON WEIGHT

13,5 kg  
9 kg  
14 kg



INBOX QUANTITY

12  
6  
4



PALLET QUANTITY

156  
144  
72



GROSS PALLET DIMEN.

80x120x195 cm  
80x120x215 cm  
80x120x195 cm



GROSS PALLET WEIGHT

190 kg  
230 kg  
265 kg