

0902 / 0903 / 0904

Z Fold Paper Dispenser



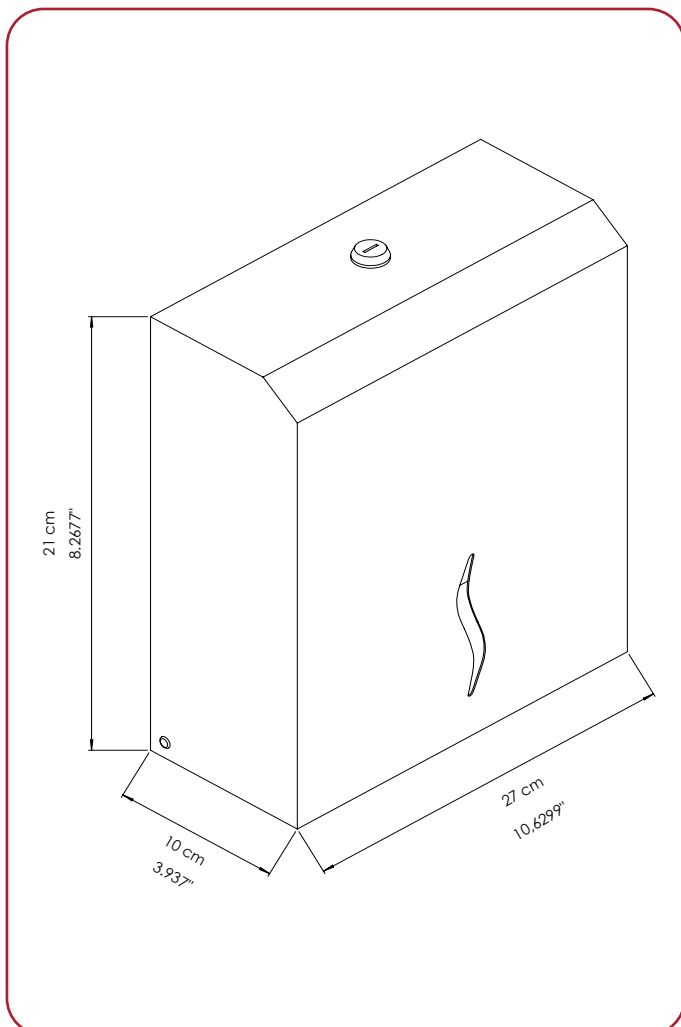
0902



0902W



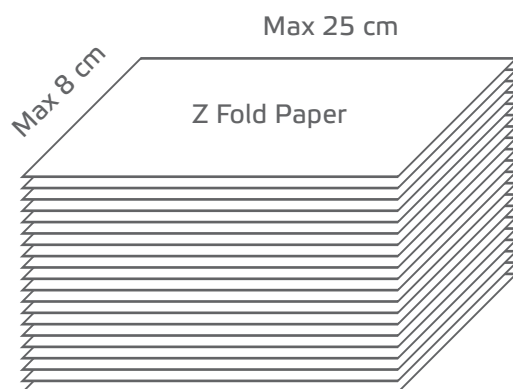
0902B



0902

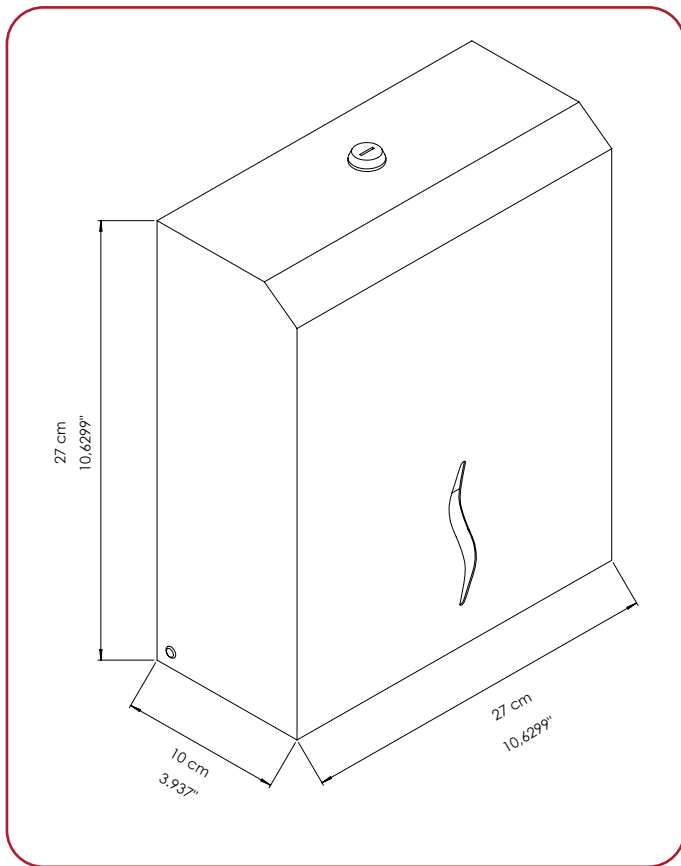
GENERAL DESCRIPTION

- + Z Fold toilet paper dispenser made with stainless steel 304 S.S and 430 S.S. 0.60 & 0.70 mm thickness.
- + Available in four type of finishes (white, black bright and satine)
- + Useful for the public areas.
- + It is mounted with three steel 4 mm screws (provided in the box) with their 8 mm plastic plugs (also provided).
- + Metal lock sytem is exist to protect the paper inside clean and safe.

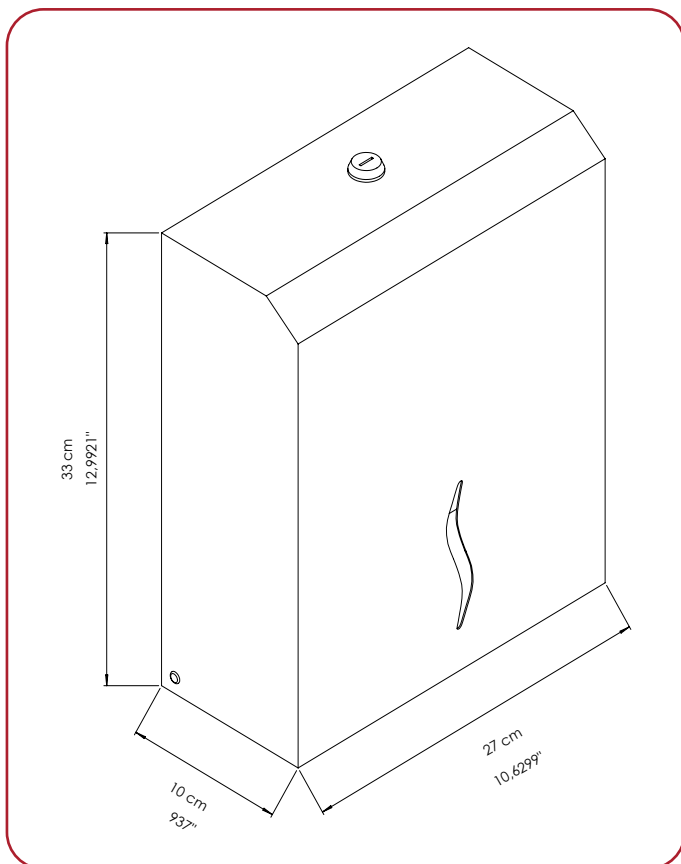


COMPONENTS AND MATERIAL

- + 0902-200 pcs paper capacity Stainless Steel 304 satine finish
- + 0902A-200 pcs paper capacity Stainless Steel 430 satine finish
- + 0902P-200 pcs paper capacity Stainless Steel 304 bright finish



0903

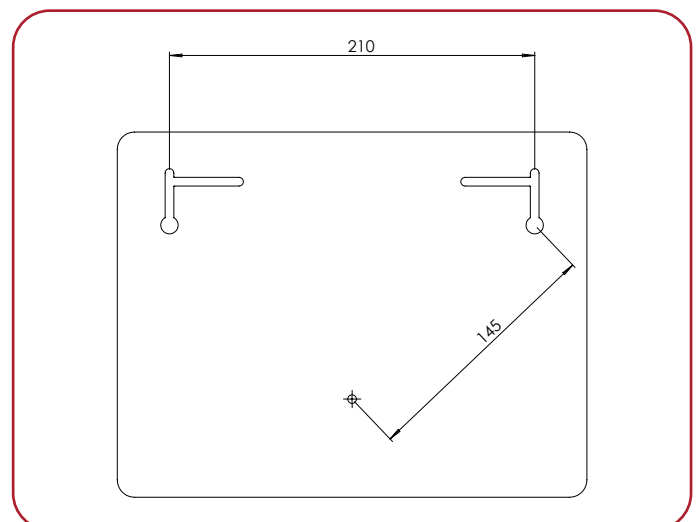


0904

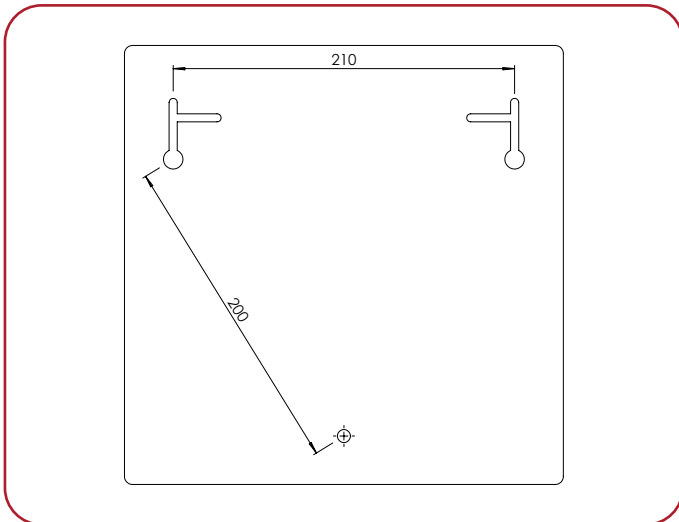
- + 0902PA-200 pcs paper capacity Stainless Steel 430 bright finish
- + 0902W-200 pcs paper capacity Steel, white powder coated
- + 0902B-200 pcs paper capacity Steel, black powder coated
- + 0903-300 pcs paper capacity Stainless Steel 304 satine finish
- + 0903A-300 pcs paper capacity Stainless Steel 430 satine finish
- + 0903P-300 pcs paper capacity Stainless Steel 304 bright finish
- + 0903PA-300 pcs paper capacity Stainless Steel 430 bright finish
- + 0903W-300 pcs paper capacity Steel, white powder coated
- + 0903B-300 pcs paper capacity Steel, black powder coated
- + 0904-400 pcs paper capacity Stainless Steel 304 satine finish
- + 0904A-400 pcs paper capacity Stainless Steel 430 satine finish
- + 0904P-400 pcs paper capacity Stainless Steel 304 bright finish
- + 0904PA-400 pcs paper capacity Stainless Steel 430 bright finish
- + 0904W-400 pcs paper capacity Steel, white powder coated
- + 0904B-400 pcs paper capacity Steel, black powder coated

INSTALLATION

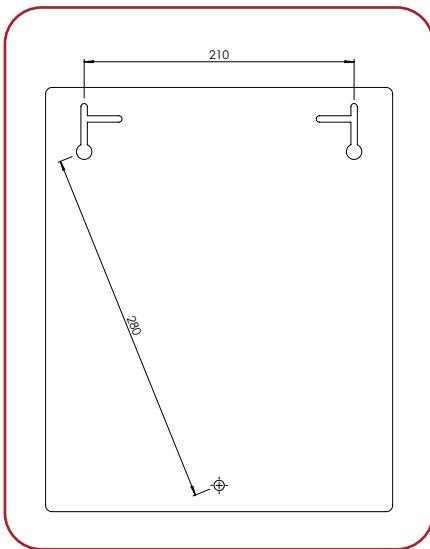
- + First measure out where the dispenser will be placed, mark three holes and drill into the wall.
- + Insert the provided wall plugs and screw in the top two screws, leaving a slight gap for the dispenser to slot onto.



0902

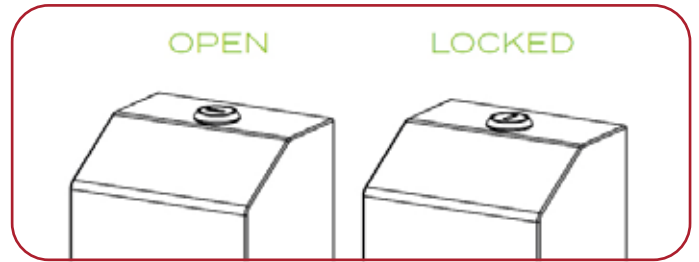


0903



0904

- + Open the dispenser lock before mounting the dispenser to the wall.
- + Slot the dispenser onto the two previously fixed screws and then screw final one screw.
- + Once the dispenser is secure, you can close the lid.



MOUNTING TEMPLATE

Should be minimum 100 cm high from the floor.

DISPENSER REPLACEMENT REQUIREMENTS AND RECOMMENDATIONS

The following recommendations are intended to provide guidelines on the best possible placement of the dispensers. Because every location a dispenser is to be mounted is different, depending on customer site, physical size limitations, and available space, these recommendations may not always be entirely possible to follow. However, when placing a dispenser installation must meet ADA requirements and should promote ease of use and be in union with its surroundings. Upon installation, the dispenser should be level and the job results professional, presentable and fully functional.

AFTERCARE INSTRUCTIONS

- + Regular cleaning with a soft cloth will keep the surface of your product looking new. Soapy water can be used to remove stubborn marks. Don't use abrasive or chemical cleaners as these may damage the surface finish over time.
- + Don't expose to sunlight.
- + Don't respond to the product with force against the possibility of damnification, deformation.
- + Don't throw any cigarettes and flammable materials into the product.

PRODUCT CODE	CAPACITY	PRODUCT DIMEN.	CARTON DIMEN.	CARTON WEIGHT	INBOX QUANTITY	PALLET QUANTITY	GROSS PALLET DIMEN.	GROSS PALLET WEIGHT
0902	200 pcs	27x10x21 cm	30x46x36 cm	9,5 kg	6	180	80x120x195 cm	300 kg
0903	300 pcs	27x10x27 cm	30x57x37 cm	11,5 kg	6	120	80x120x200 cm	245 kg
0904	400 pcs	27x10x33 cm	39x57x37 cm	13,5 kg	6	120	80x120x200 cm	285 kg
0902W	200 pcs	27x10x21 cm	30x46x36 cm	9,5 kg	6	180	80x120x195 cm	300 kg
0903W	300 pcs	27x10x27 cm	30x57x37 cm	11,5 kg	6	120	80x120x200 cm	245 kg
0904W	400 pcs	27x10x33 cm	39x57x37 cm	13,5 kg	6	120	80x120x200 cm	285 kg
0902B	200 pcs	27x10x21 cm	30x46x36 cm	9,5 kg	6	180	80x120x195 cm	300 kg
0903B	300 pcs	27x10x27 cm	30x57x37 cm	11,5 kg	6	120	80x120x200 cm	245 kg
0904B	400 pcs	27x10x33 cm	39x57x37 cm	13,5 kg	6	120	80x120x200 cm	285 kg