

0902V / 0903V / 0904V

V Fold Paper Dispenser



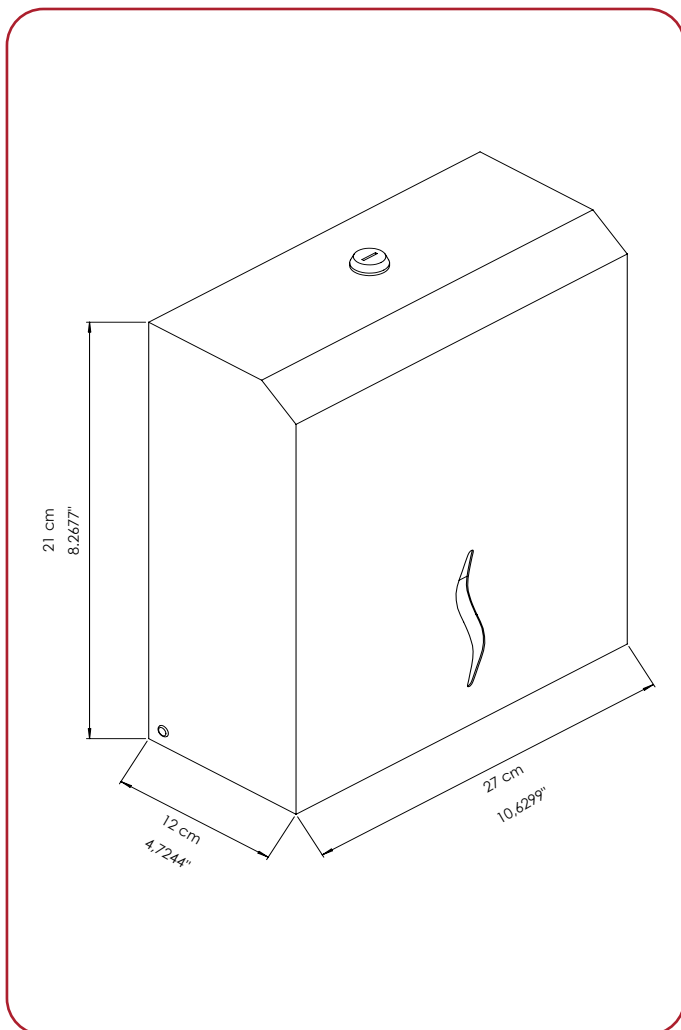
0904V



0904VW



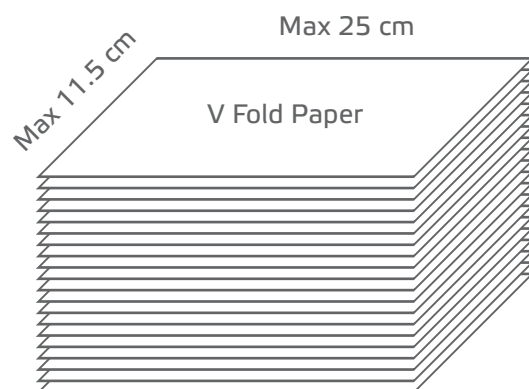
0904VB



0902V

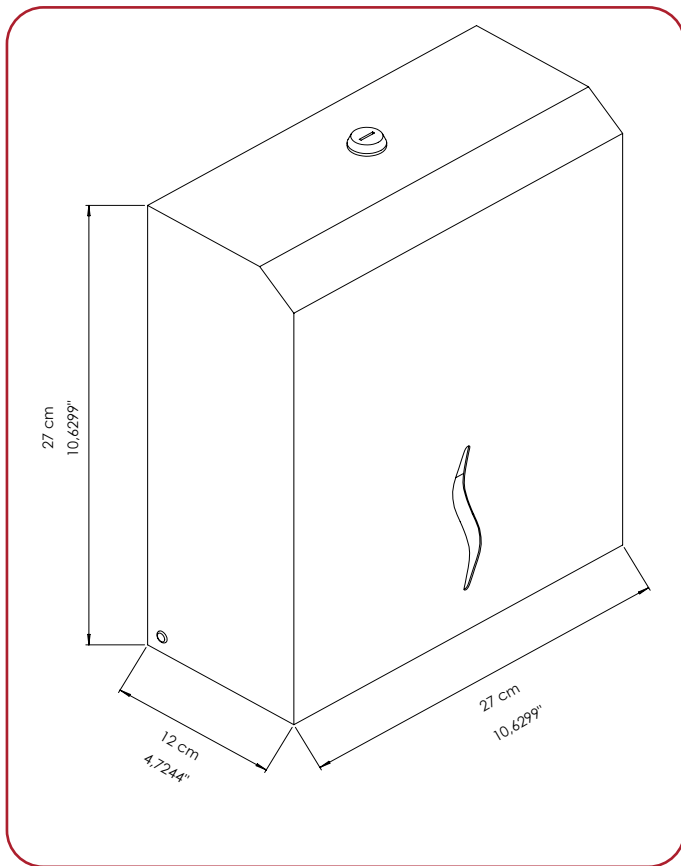
GENERAL DESCRIPTION

- + V Fold toilet paper dispenser made with stainless steel 304 S.S and 430 S.S. 0.60 & 0.70 mm thickness.
- + Available in four type of finishes (white, black bright and satine)
- + Useful for the public areas.
- + It is mounted with three steel 4 mm screws (provided in the box) with their 8 mm plastic plugs (also provided).
- + Metal lock system is exist to protect the paper inside clean and safe.

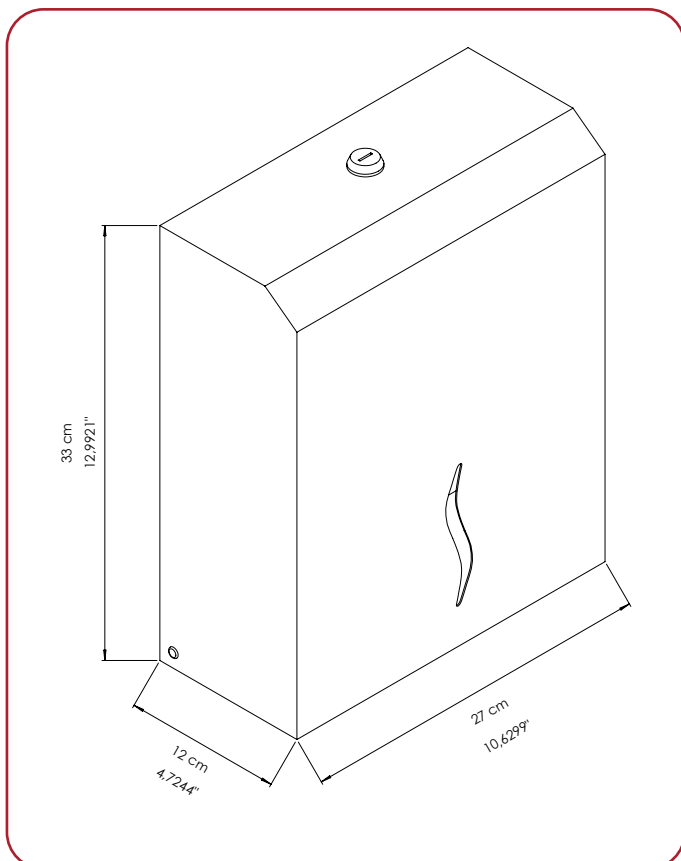


COMPONENTS AND MATERIAL

- + 0902V-300 pcs paper capacity Stainless Steel 304 satine finish
- + 0902VA-300 pcs paper capacity Stainless Steel 430 satine finish
- + 0902VP-300 pcs paper capacity Stainless Steel 304 bright finish



0903V

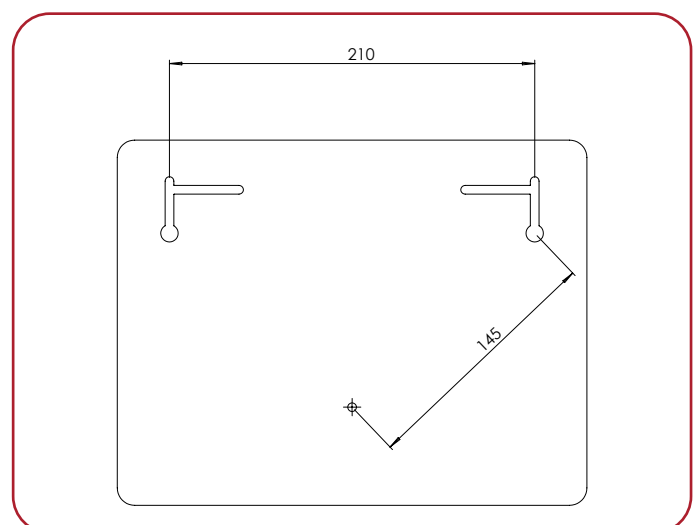


0904V

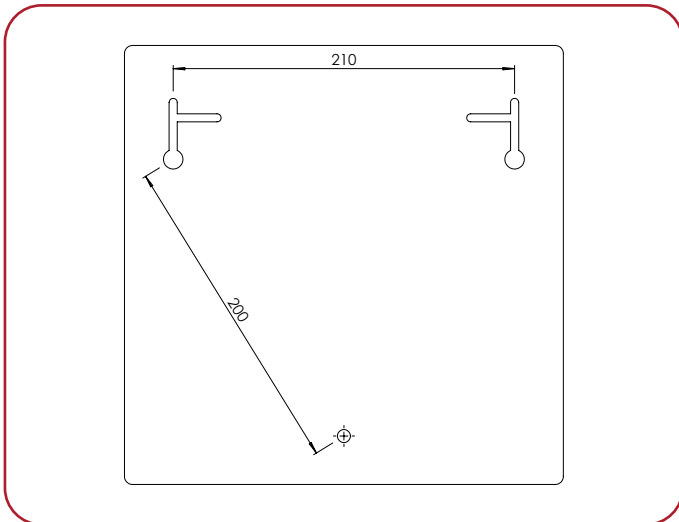
- + 0902VPA-300 pcs paper capacity Stainless Steel 430 bright finish
- + 0902VW-300 pcs paper capacity Steel, white powder coated
- + 0902VB-300 pcs paper capacity Steel, black powder coated
- + 0903V-600 pcs paper capacity Stainless Steel 304 satine finish
- + 0903VA-600 pcs paper capacity Stainless Steel 430 satine finish
- + 0903VP-600 pcs paper capacity Stainless Steel 304 bright finish
- + 0903VPA-600 pcs paper capacity Stainless Steel 430 bright finish
- + 0903VW-600 pcs paper capacity Steel, white powder coated
- + 0903VB-600 pcs paper capacity Steel, black powder coated
- + 0904V-800 pcs paper capacity Stainless Steel 304 satine finish
- + 0904VA-800 pcs paper capacity Stainless Steel 430 satine finish
- + 0904VP-800 pcs paper capacity Stainless Steel 304 bright finish
- + 0904VPA-800 pcs paper capacity Stainless Steel 430 bright finish
- + 0904VW-800 pcs paper capacity Steel, white powder coated
- + 0904VB-800 pcs paper capacity Steel, black powder coated

INSTALLATION

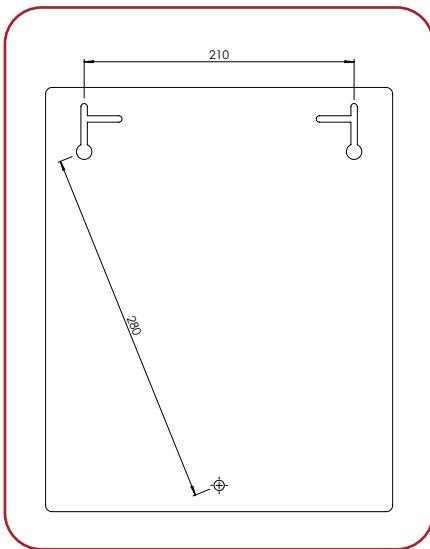
- + First measure out where the dispenser will be placed, mark three holes and drill into the wall.
- + Insert the provided wall plugs and screw in the top two screws, leaving a slight gap for the dispenser to slot onto.



0902V

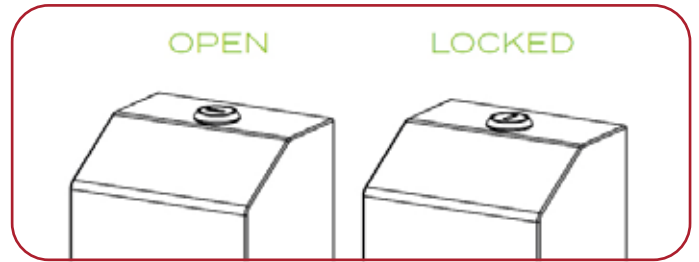


0903V



0904V

- + Open the dispenser lock before mounting the dispenser to the wall.
- + Slot the dispenser onto the two previously fixed screws and then screw final one screw.
- + Once the dispenser is secure, you can close the lid.



MOUNTING TEMPLATE

Should be minimum 100 cm high from the floor.

DISPENSER REPLACEMENT REQUIREMENTS AND RECOMMENDATIONS

The following recommendations are intended to provide guidelines on the best possible placement of the dispensers. Because every location a dispenser is to be mounted is different, depending on customer site, physical size limitations, and available space, these recommendations may not always be entirely possible to follow. However, when placing a dispenser installation must meet ADA requirements and should promote ease of use and be in union with its surroundings. Upon installation, the dispenser should be level and the job results professional, presentable and fully functional.

AFTERCARE INSTRUCTIONS

- + Regular cleaning with a soft cloth will keep the surface of your product looking new. Soapy water can be used to remove stubborn marks. Don't use abrasive or chemical cleaners as these may damage the surface finish over time.
- + Don't expose to sunlight.
- + Don't respond to the product with force against the possibility of damnification, deformation.
- + Don't throw any cigarettes and flammable materials into the product.

PRODUCT CODE	CAPACITY	PRODUCT DIMEN.	CARTON DIMEN.	CARTON WEIGHT	INBOX QUANTITY	PALLET QUANTITY	GROSS PALLET DIMEN.	GROSS PALLET WEIGHT
0902V	300 pcs	27x12x21 cm	46x30x41 cm	11,5 kg	6	144	80x120x180 cm	290 kg
0903V	600 pcs	27x12x27 cm	57x30x41 cm	13,5 kg	6	120	80x120x220 cm	285 kg
0904V	800 pcs	27x12x33 cm	57x57x41 cm	15,5 kg	6	120	80x120x220 cm	325 kg
0902VW	300 pcs	27x12x21 cm	46x30x41 cm	11,5 kg	6	144	80x120x180 cm	290 kg
0903VW	600 pcs	27x12x27 cm	57x30x41 cm	13,5 kg	6	120	80x120x220 cm	285 kg
0904VW	800 pcs	27x12x33 cm	57x57x41 cm	15,5 kg	6	120	80x120x220 cm	325 kg
0902VB	300 pcs	27x12x21 cm	46x30x41 cm	11,5 kg	6	144	80x120x180 cm	290 kg
0903VB	600 pcs	27x12x27 cm	57x30x41 cm	13,5 kg	6	120	80x120x220 cm	285 kg
0904VB	800 pcs	27x12x33 cm	57x57x41 cm	15,5 kg	6	120	80x120x220 cm	325 kg