

0860 / 0861 / 0862 / 0863

Round Waste Bins with Swing Lid



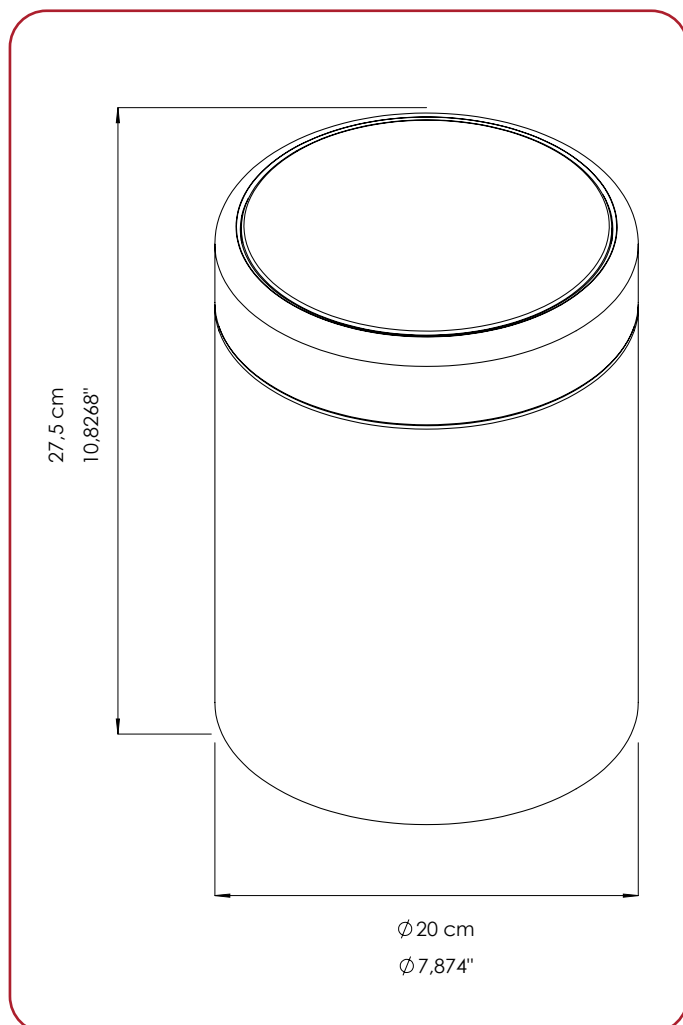
0860

GENERAL DESCRIPTION

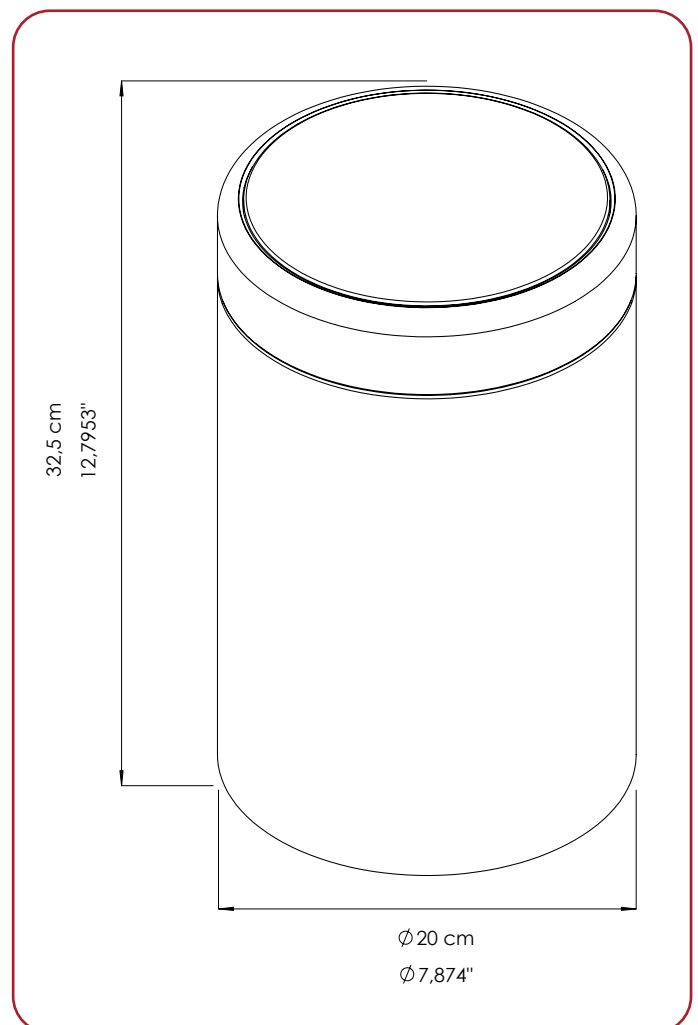
- + Round waste bins with swing lid made with stainless steel 304 S.S 0.50 mm thickness.
- + Available in only bright finish.
- + Useful for the public areas.
- + Movable lid system.

COMPONENTS AND MATERIAL

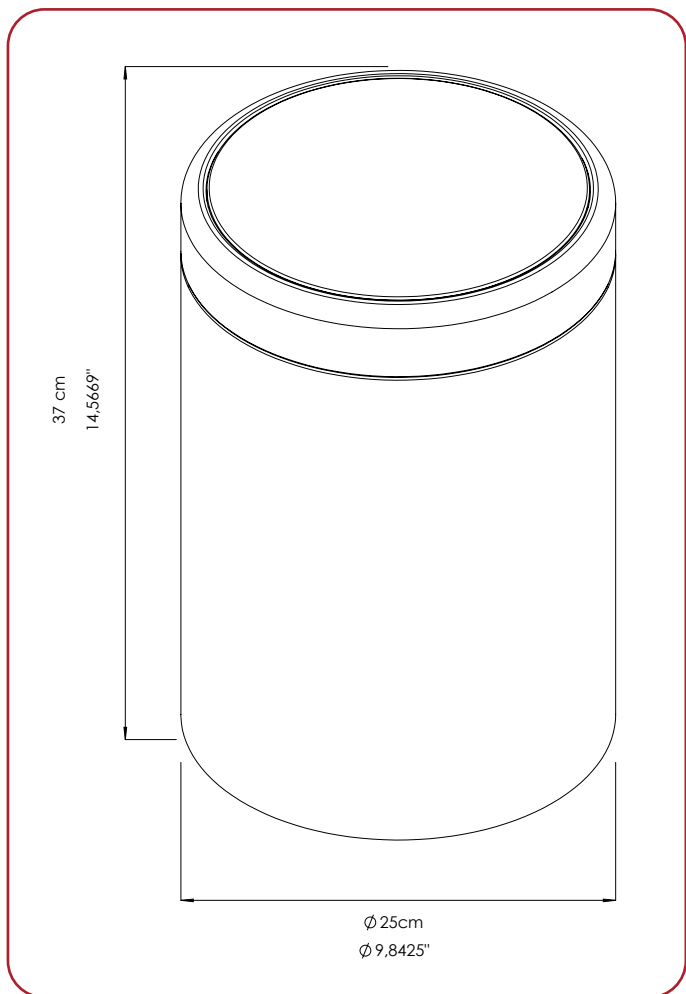
- + 0860-Stainless Steel 304 bright finish, 7 LT
- + 0861-Stainless Steel 304 bright finish, 9 LT
- + 0862-Stainless Steel 304 bright finish, 12 LT
- + 0863-Stainless Steel 304 bright finish, 30 LT



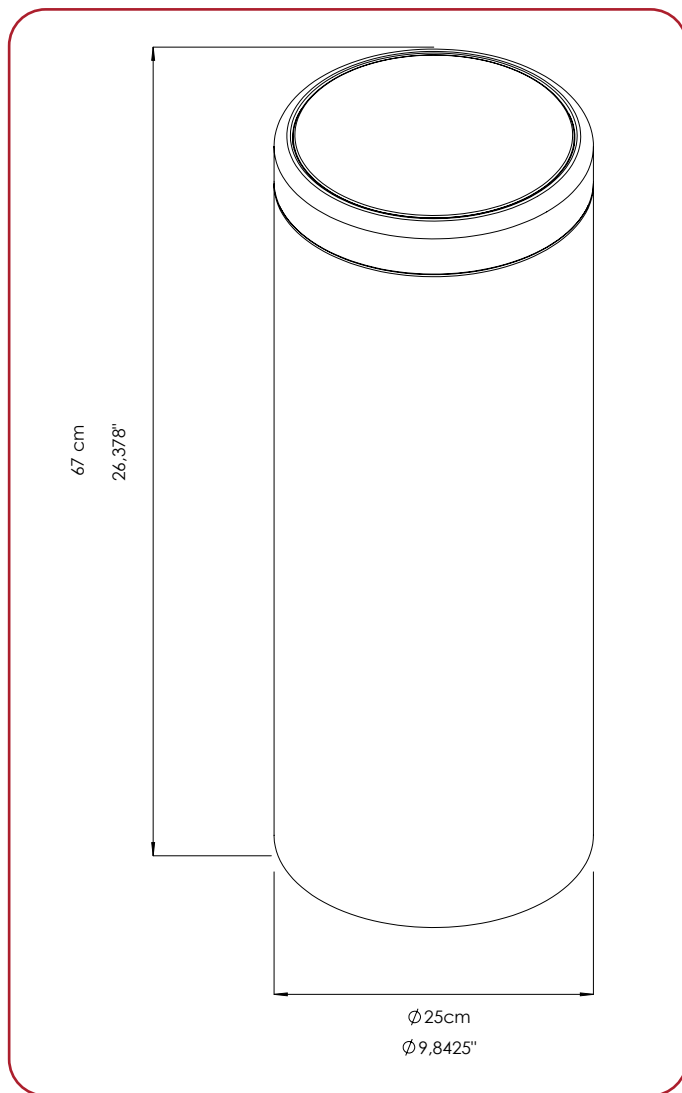
0860



0861



0862



0863

BIN REPLACEMENT REQUIREMENTS AND RECOMMENDATIONS

The following recommendations are intended to provide guidelines on the best possible placement of the bins. Because every location a bin is to be different, depending on customer site, physical size limitations, and available space, these recommendations may not always be entirely possible to follow. However, when placing a bin must meet ADA requirements and should promote ease of use and be in union with its surroundings. The bin should be level and the job results professional, presentable and fully functional.

AFTERCARE INSTRUCTIONS

- + Regular cleaning with a soft cloth will keep the surface of your product looking new. Soapy water can be used to remove stubborn marks. Don't use abrasive or chemical cleaners as these may damage the surface finish over time.
- + Don't expose to sunlight.
- + Don't respond to the product with force against the possibility of damage, deformation.
- + Don't throw any cigarettes and flammable materials into the product.

PRODUCT CODE	LITER	PRODUCT DIMEN.	CARTON DIMEN.	CARTON WEIGHT	INBOX QUANTITY	PALLET QUANTITY	GROSS PALLET DIMEN.	GROSS PALLET WEIGHT
0860	7 L	Ø20x27,5 cm	55x58x62	16 kg	12	72	80x120x195 cm	111 kg
0861	9 L	Ø20x32,5 cm	62x56x80	13 kg	8	48	80x120x200 cm	93 kg
0862	12 L	Ø25x37 cm	62x56x80	15 kg	8	48	80x120x200 cm	105 kg
0863	30 L	Ø25x67 cm	62x56x80	13 kg	4	24	80x120x200 cm	93 kg